

ELECTRONIC SIREN WITH LIGHT

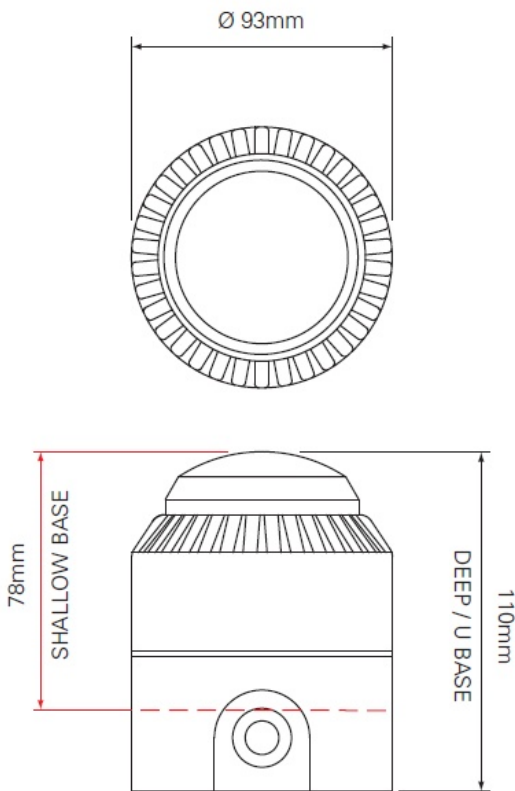
AE/V-ASF1SB

Description

Multitone siren focus.
High sound and light intensity.
Certified according to EN 54-3.



Dimensions



TECHNICAL CHARACTERISTICS

Supply voltage: 9 - 28 Vdc
 Current Draw (Depends on Tone): Between 6 - 33mA
 25mA for Fire
 Sound intensity (depends on the tone): Between 64dB - 111Db
 100 dB / 24Vdc Tone 3
 Alarm tones: 32
 Flash frequency: 1 Hz
 Luminous intensity: > 0.5Cd
 Temperature Range: -10° to + 55°C
 Material: ABS
 PC lens
 Accessories: Low Base: AE / V-SBB
 High Base: AE / V-SBA

IP: Low Base: IP54
 High base: IP65
 Weight: Low Base: 300g
 High base: 310g
 Dimensions: Low Base: 93mm dia X 79mm
 high
 High base: 93mm dia X 107mm
 high
 Certified: EN54-3